

MDPW-476

30" rectangular display for Air Traffic Control



The MDPW-476 is a rectangular 30-inch Main Display with a resolution of 2560 x 1600 specifically designed for Air Traffic Control applications. Equipped with the latest LCD technology, the display provides excellent sharpness and brightness, along with a very wide viewing angle. Integrated BLOS technology ensures that the light output remains stable at all times.

Designed to provide maximum user comfort, the MDPW-476 features an advanced Ambient Light Compensation function, which adapts the display's brightness relative to the ambient light conditions. Disturbing reflections are kept to an absolute minimum thanks to a special non-reflective front cover.

The flexible MDPW-476 has an extremely low life cycle cost. It can be rapidly mounted, easily interfaced and it does not require regular adjustments after installation.

Main features:

- Excellent visual performance
- Stable light output over time
- Ambient light compensation technology
- Flexible and user-friendly design
- Low life cycle cost

BARCO

Visibly yours

Technical specifications

GENERAL

Active display area: 641.3 x 400.8 mm
(25.24 x 15.78 inch)
Active screen diagonal: 756.3mm (29.8 inch)
Aspect ratio: 16:10
Active screen area: 2560 x 1600 pixels (4.2 MP)

OPTICAL

Peak brightness: > 250 cd/m² in dark environment
Brightness: 30 - 250 cd/m² calibrated
in dark environment
Dimming ratio: Typical 20:1
Contrast ratio: Typical 1000:1 in dark environment
Viewing angle: +/-89° hor. & vert. (typical)
LCD response time
On/Off (T_r + T_f) 12 ms @ 25°C
Gray-gray, average: 6 ms @ 25°C
Front glass with high quality anti-reflective treatment
Color temperature: 6500° K typical
Display colors: > 16 Mio / 256 levels per color
Pixel arrangement: RGB vertical stripe
Hor. & vert. pitch: 0.25 mm (101 dpi)
Lamp lifetime: Typical 50,000 hrs @ 150 cd/m²

INTERFACING

Video input: Dual-link DVI-D connector

CONTROLS

- Embedded control panel with 4 buttons / OSD
- DDC communication channel inside the video link
- Remote maintenance keypad using Barco's serial communication protocol

ELECTRICAL

Power supply: automatic selection
Nominal voltage: 115 Vac & 230 Vac
Operates between: 90-140 Vac/180-264 Vac
Frequency range: 45-65 Hz
Power consumption
P_{nom}: 80 Watt
P_{max}: 150 Watt
Power connector type: IEC

MECHANICAL

Dimensions 697 x 456 x 107 mm
(27.4 x 17.9 x 5.91 inch)
Weight: Approximately 15 kg / 33 lbs
Standard VESA mounting (100 x 100 mm)

ENVIRONMENTAL

Operating temperature: 10 to 40°C (50 to 86°F)
Storage temperature: -10 to +60°C (14 to 140°F)
Vibration: 0.25 G for 10 Hz-100 Hz random
Noise level: < 40 dBA at 25°C ambient
Relative humidity: 8-80% at 25°C non-condensing

EMI/EMC

FCC Class B volume II part 15 subpart J; EN55011 level B;
EN50082-1; EN61000-4-2,3,4,5,6,8,11; EN61000-3-2,3

SAFETY

CE / IEC950 / UL1950 / cUL950

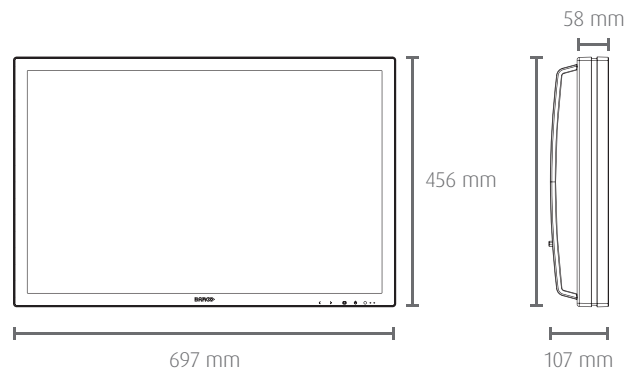
MTBF

Target value: > 60,000 hrs, excluding panel and backlight

OPTIONS

- Stand
- Second DVI input
- Communication (ethernet & USB)

Contact factory for more details



In search of continuous improvement

M00031-R01-0110-DS

Technical specifications are subject to change without prior notice

Barco nv
Pres. Kennedypark 35, B-8500 Kortrijk
Europe, Middle-East, Africa: +32 56 26 20 09
USA: +1 678 475 8000
Latin America: +55 11 38421656
Japan: +81 3 5762 8727
China: +86 400 88 22726
Or mail to sales.airtraffic@barco.com

BARCO

Visibly yours