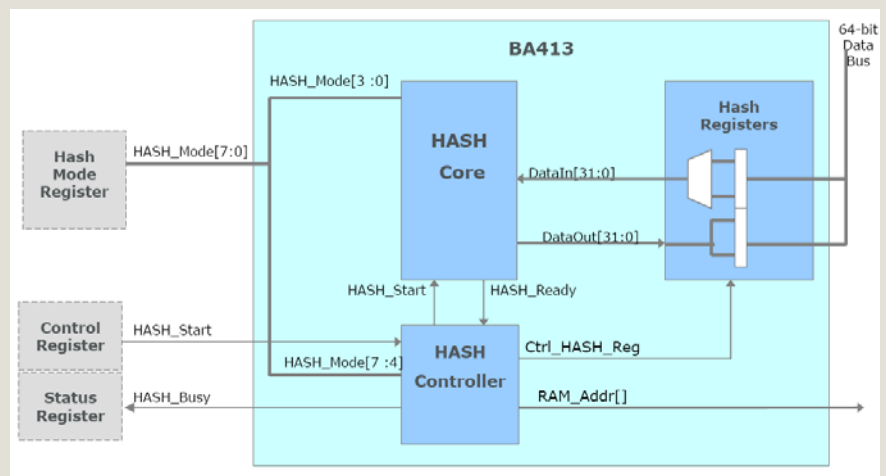


Hash Crypto Core

- **Description**
 - The BA413 is a flexible & optimized Hash Core developed, validated & licensed by BARCO-Silex.
- **Portability**
 - ASIC, Actel, Altera, Xilinx
- **Key Features**
 - Supports SHA-1, SHA-256, SHA-384, SHA-512 & MD-5;
 - 64 or 80 cycles per 512- or 1024-bit chunk depending on the algorithm;
 - Common RTL code for ASIC & FPGA;
 - Tables of constant values in RAM/ROM for FPGA implementations;
 - Generic parameters allow customers to not integrate unnecessary circuitry;
 - Main parameters are configurable by software
- **Interfaces**
 - Supports 32- or 64-bit data bus interface;
 - Internal DMA to interface with the external crypto memory;
 - Very simple host interface & handshake mechanism;



- **Benefits**
 - Supports wide range of applications on various technologies
 - Ease of integration
 - Off-the-shelf & silicon-proven solution
- **Deliverables**
 - RTL or netlist
 - Scripts for synthesis
 - Self-checking TestBench based on FIPS vectors

For more information contact:
 barco-silex@barco.com
 www.barcodesignservices.com

International : + 32 (10) 486 306
 France : + 33 (1) 47 38 30 89

