

# MOCA

## High Precision, Easy-to-Use Convergence System

motorized  
**MOCA**  
convergence

MOCA (Motorised Convergence Adjustment)<sup>TM</sup> is BARCO's proprietary motorised convergence system for the new BARCOREALITY series projectors, particularly designed for rear and special applications such as on-axis or dual projection. Through user-friendly, on-screen menus, combined with the infrared remote control, MOCA provides an exceptionally easy means of precisely adjusting the convergence of the projected image.

### Extremely user-friendly and highly accurate convergence system

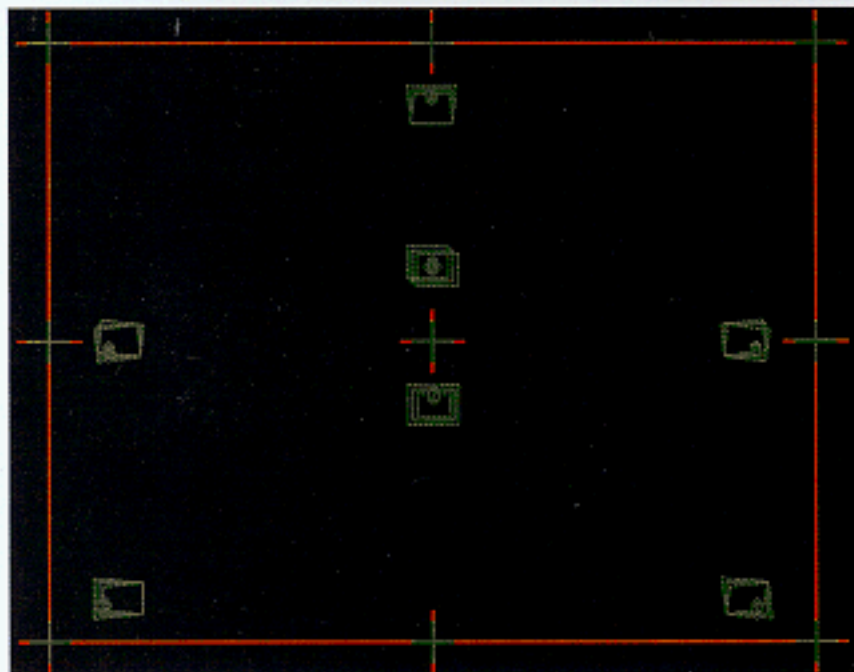
MOCA offers a highly accurate, fast and easy convergence adjustment of BARCO's new BARCOREALITY projection systems.

- MOCA is based on 18 geared DC motors (6 per LCD panel)
- 3 motors per panel offer separate focusing of each LCD panel. Convergence alignment is done by three other motors per LCD panel
- A special sequence of adjustment steps eliminates iterative adjustments between focusing and convergence
- Convergence alignment of the LCD panels can easily be done through the on-screen menus, using the infrared remote control of the projector
- Highly simplified and accelerated convergence alignment without opening the projector or turning awkward adjustment screws
- Adjustments possible by closely viewing on the screen, which greatly enhances the precision of the alignments
- Particularly useful for rear screen installations, dual/triple configurations, ceiling mount or installations with a long-throw lens



**BARCO**

# Technical specifications and features



Through BARCO's unique MOCA (Motorized Convergence Adjustment) system, convergence adjustments can be easily done through intuitive on-screen menus in combination with a convenient infrared remote control.

## Motors

18 (6 per LCD panel) specially designed, ironless rotor, geared DC motors (6 Volt)

- 3 motors for focus adjustment
- 3 motors for position adjustment

## Maximum resolution of the adjustment

1/10th of a pixel

## Special features

- Overload current protection
- Special sequence of adjustment steps eliminates iterative adjustments between focusing and convergence

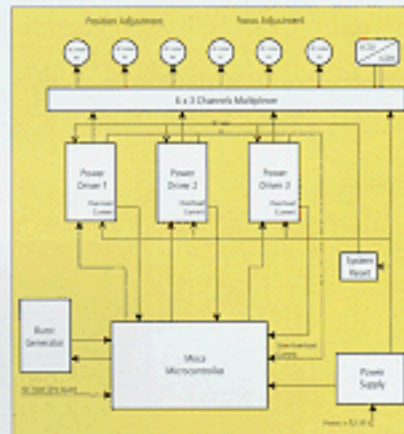
## Compatibility

The MOCA is compatible with all BARCOREALITY Series projectors.

## Order information

BARCOREALITY 8200 with built-in MOCA system R9001210

BARCOREALITY 9200 with built-in MOCA system R9001220



(1) Patent pending

BARCO Projection Systems is an ISO 9001 registered company.

The information and data given are typical for the equipment described. However any individual item is subject to change without any notice.

BARCO Projection Systems - Head Office  
Noordlaan 5 8520 Kuurne, Belgium  
Tel: +32 / 56 / 368 211 Fax: +32 / 56 / 351 651  
E-mail: sales.bps@barco.com  
Visit Barco at the web: <http://www.barco.com>

**BARCO**