

Dual-lamp video wall upgrade kit

Barco's dual-lamp video wall technology refresh program



To bring your control room visualization technology to the most recent high-quality standards, Barco now offers an all-in-one technology refresh program for its legacy video wall systems. Barco's dual-lamp video wall upgrade kit enables you to upgrade from the first (polysilicon) and second generation (DLP) OverView systems to Barco's latest OV-D2 projection engines. The upgrade kit is a perfect way to build on your made investments and reach improved image quality, better reliability and lower cost of ownership with minimal efforts.

Today, Barco's OV-D2 DLP video wall series offers control room and studio operators an unequalled visual experience in a wide range of 24/7 applications. The OV-D2 video walls use the latest Digital Micromirror Device (DMD) technology with increased switching speed of the mirrors to deliver better video performance without contouring artifacts. Compared to many other technologies, DLP technology shows absolutely no aging effects for a lifetime of over 100,000 hours.

Barco's video wall upgrade kit enables you to retain your existing video wall display resolution or to upgrade to a higher resolution. See the compatibility matrix overleaf to learn more about your upgrade possibilities. Please consult your Barco representative for more information on how to upgrade to a higher resolution.

Why upgrade ?

- Safeguard your Barco investment for the future
- Enjoy improved, uniform image quality
- Rely on a redundant dual-lamp system for 24/7 reliability
- Benefit from a lower cost of ownership

BARCO

Visibly yours

Your upgrade path

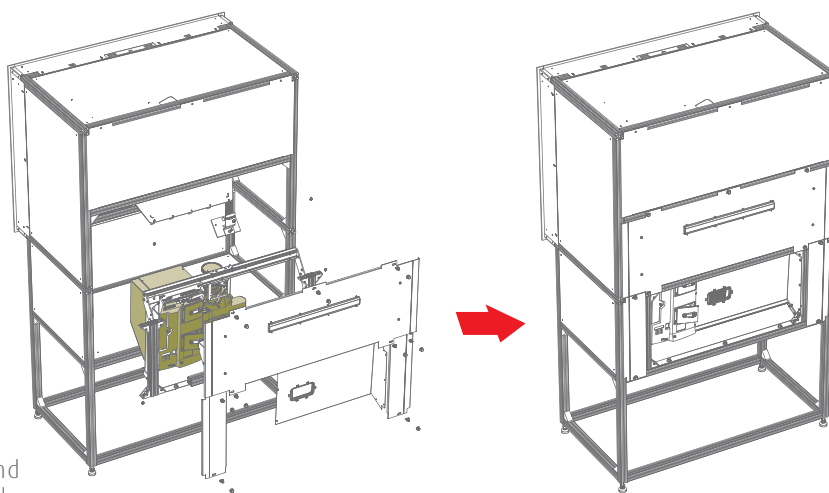
Current installation		Possible upgrade path	
Product code	Order number	Product code	Order number
Polysilicon -> OV-D2 (DLP)			
OverView mP50	RSPSI31440	OV-508	R9842983
OverView mP51	RSPSI31441	OV-515	R9842984
OverView cPG67 (Atlas C4)	R9631104	OV-D2 XGA 67"	R9842993
OverView cPG67 (Atlas C4)	R9631105	OV-D2 SXGA* 67"	R9842994
OverView cPR67 (Atlas CS4)	R9831110	OV-D2 SXGA 67"	R9842995
OverView cPG84 (Atlas C4)	R9831120	OV-D2 XGA 84"	R9842996
OverView cPG84 (Atlas C4)	R9831120	OV-D2 SXGA* 84"	R9842997
OverView cPR84 (Atlas CS4)	R9831130	OV-D2 SXGA 84"	R9842998
OverView-D (DLP) -> OV-D2 (DLP)			
OverView mDG50-DL	RSDLP32740	OV-508	R9842999
OverView mDG50-DL	RSDLP32740	OV-515	R9842967
OverView mDR50-DL	RSDLP32720	OV-513	R9842968
OverView mDR*50-DL	R9842491	OV-515	R9842968
OverView cDG67-DL	R9841830	OV-D2 XGA	R9842969
OverView cDG67-DL	R9841830	OV-D2 SXGA*	R9842814
OverView cDR67-DL	R9841850	OV-D2 SXGA	R9842815
OverView cDR*67-DL	R9842580	OV-D2 SXGA*	R9842815
OverView cDG80-DL	R9842510	OV-808	R9842816
OverView cDG80-DL	R9842510	OV-815	R9842817
OverView cDR*80-DL	R9852830	OV 815	R9842817

The video wall upgrade kit includes:

- New projection engine
- New illumination unit with redundant dual-lamp system
- New mounting brackets & sheet metal
- Technology assessment for video wall controller upgrade

Optional upgrades:

- Barco's Sense⁶ sensor technology for uniform color and brightness



The most recent model projection and illumination units can be seamlessly integrated into your existing mechanical structures. The upgrade can be performed without dismantling the cladding, so there is no possibility of dust intrusion.

M00086-R01-0111-DS January 2011

Barco is an ISO 9001 registered company.
The information and data given are typical for the equipment described.
However any individual item is subject to change without any notice.
The latest version of this product sheet can be found on www.barco.com.

Contact Barco
 Europe, Middle-East, Africa: +32 56 26 20 09
 USA: +1 678 475 8000
 Latin America: +55 11 38421656
 Japan: +81 3 5762 8727
 China: +86 400 88 22726
sales.security_and_monitoring@barco.com

BARCO

Visibly yours