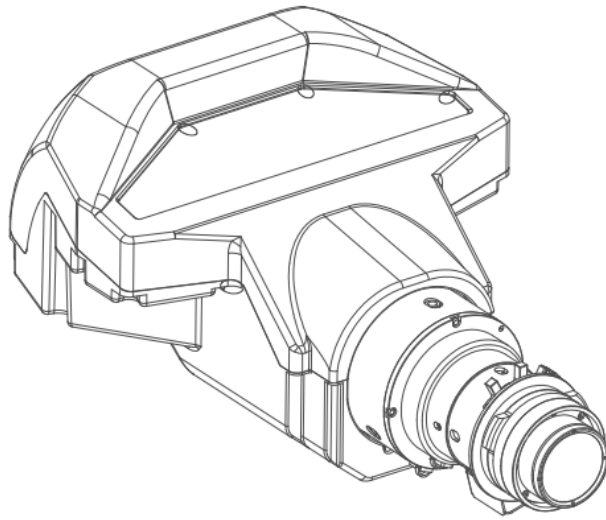


G LENS (0.36:1) - UST

Ultra Short Throw Lens



TECHNISCHE SPECIFICATIES**G LENS (0.36:1) - UST**

Lens type	G LENS (0.36 : 1)
Throw Ratio	0.36 : 1
Working F/#	2.4
Zoom ratio	1
Focal length	9.5 mm
Focus Range	120" – 400" (Full optical performance)
Throw distance	0.96 -3.01 m
Weight	2.72 kg
Motorized Zoom	N/A
Motorized Focus	Yes

Last updated: 16 Aug 2021

Technical specifications are subject to change without prior notice. Please check www.barco.com for the latest information.