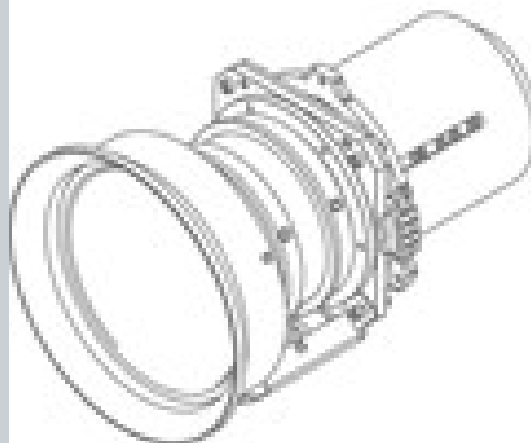


GC LENS (1.02 - 1.36 : 1)



TECHNISCHE SPECIFICATIES**GC LENS (1.02 - 1.36 : 1)**

Type lens	GC LENS (1.02 -1.36 : 1)
Projectieverhouding	1.02 -1.36 : 1
Effectieve f-getal	2 (wide) -2.3 (tele)
Zoomverhouding	1.33x
Brandpuntsafstand	21.5 -28.7 mm
Focusbereik	50° -500°
Projectieafstand	1.10 -14.65 m
Gewicht	Net: 2 kg Gross: 4.9 kg
Gemotoriseerde zoom	Yes
Gemotoriseerde focus	Yes
Opmerkingen	(*) This lens does not support the lens memory feature on the G100

Last updated: 21 Feb 2022

Technical specifications are subject to change without prior notice. Please check www.barco.com for the latest information.