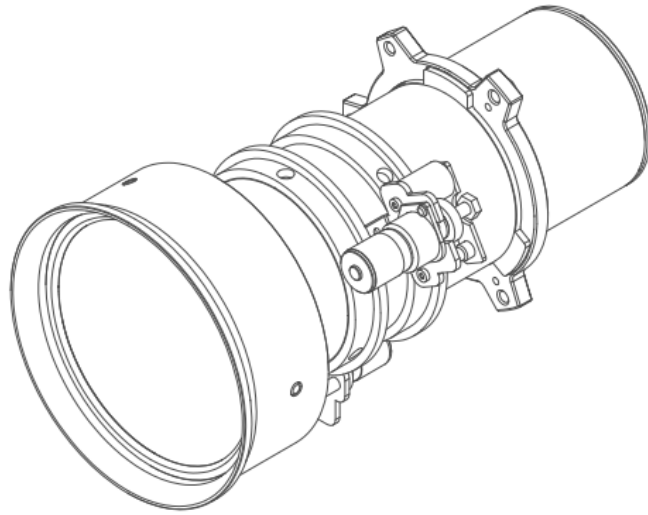


G lens (1.52-2.92 : 1)



For more information please contact Barco.

TECHNISCHE SPECIFICATIES**G LENS (1.52-2.92 : 1)**

Type lens	G LENS (1.52 -2.92 : 1)
Projectieverhouding	1.52 -2.92 : 1
Effectieve f-getal	2.30 (wide) -3.39 (tele)
Zoomverhouding	1.9x
Brandpuntsafstand	22.56 -42.87 mm
Focusbereik	50" – 300" (Full optical performance)
Projectieafstand	1.61 -19.00 m
Gewicht	0.79 kg
Gemotoriseerde zoom	Yes
Gemotoriseerde focus	Yes

Last updated: 16 Aug 2021

Technical specifications are subject to change without prior notice. Please check www.barco.com for the latest information.