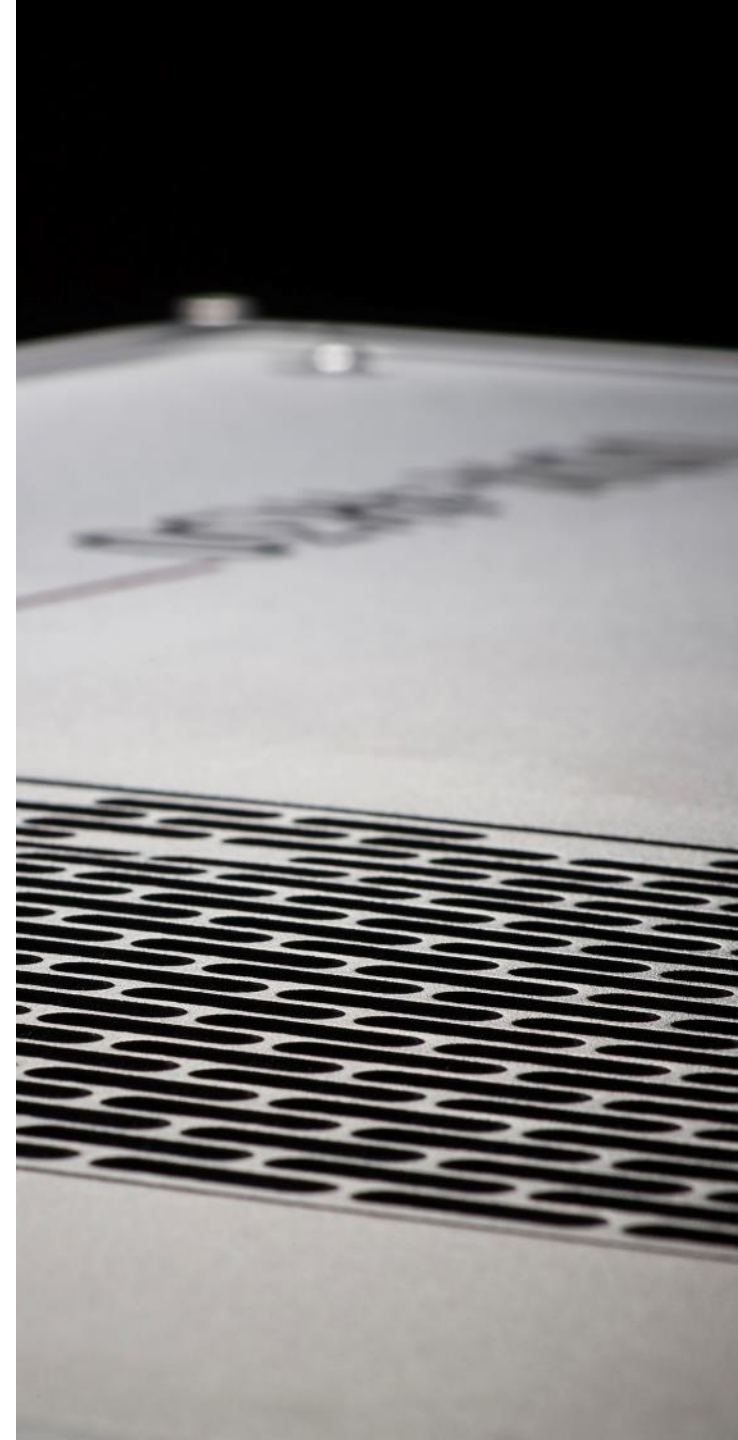


**BARCO**

**Frames: motorisation & precision**



## Why this document?

Different types of frames are in the field, with different upgradeability options. As of July 2018, all frames shipped are by default V3 frames

# V1

**Description:** standard adjustable frame

**When:** Untill May 2018

**How to recognise:** no mark

**Motorisation ready:** no, not possible

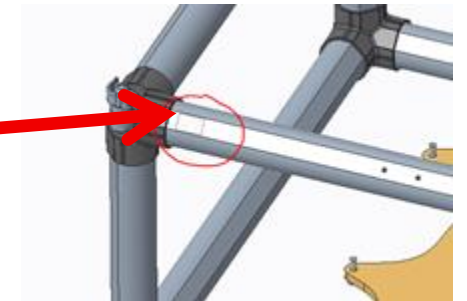
# V2

**Description:** standard adjustable frame

**When:** May 2018 – June 2018

**How to recognise:** V2 mark

**Motorisation ready:** Yes



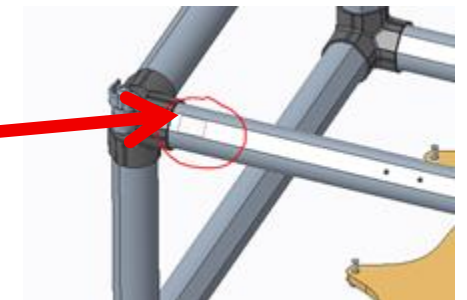
# V3

**Description:** High precision

**When:** End June - now

**How to recognise:** V3 mark

**Motorisation ready:** Yes



## Which updates are possible per version

**Upgrade to  
High Precision**

**Upgrade with  
motorisation**

**V1**

**YES, stays V1 frame**

**NOT POSSIBLE**  
(special package available  
to replace by V2 frame)

**V2**

**YES**  
(V2 with high precision = V3 frame)

**YES**

**V3**

**N/A**  
(already by default)

**YES**

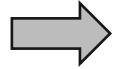
# Adding high precision to V1/V2 frames

August 2018

# V1/2

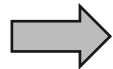
F70/F90

V1 STD frames



V1 Precision frames (**Motorisation NOT possible**)

V2 STD frames



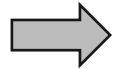
V3 frame (**Motorisation possible**)

Item nr

RXXXXXXXXX

F80

V1 STD frames



V1 Precision frames (**Motorisation NOT possible**)

V2 STD frames

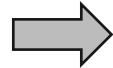


V3 frame (**Motorisation possible**)

RXXXXXXXXX

UDX

V1 STD frames



V1 Precision frames (**Motorisation NOT possible**)

V2 STD frames



V3 frame (**Motorisation possible**)

R5002146k

→Install new precision adjustment blocks

# Adding motorisation to V2/V3 frames (motorisation ready)

## V2 or V3

F70/F90	V2/V3 STD frames	➔	Motorisation R9801756
F80	V2/V3 STD frames	➔	Motorisation R9801757
UDX	V2/V3 STD frames	➔	Motorisation R9801755

→install motorisation on V2 or V3 frames

# Adding motorisation to V1 frame will require replacement by a new V2 frame

Special package deal to compensate early investors in UDX

# V1

F70/F90	V1 STD frames	➔	V1→V2 upgrade (flat fee) +Motorisation R9801756
F80	V1 STD frames	➔	V1→V2 upgrade (flat fee) +Motorisation R9801757
UDX	V1 STD frames	➔	V1→V2 upgrade (flat fee) +Motorisation R9801755

→Swap V1 frame for V2 frame + install motorisation on V2 frames